

model series Product data sheet - as of 09.2023

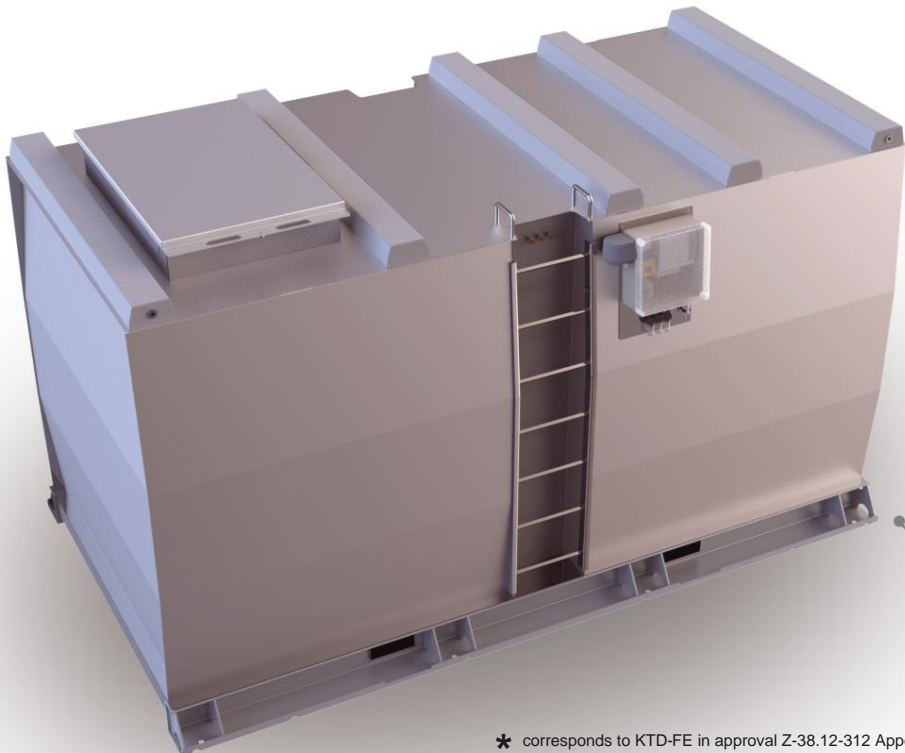
KTD FAC * **Double-walled storage tank - outdoor installation including inner coating urea**



Kramptitz



Characteristic	Area of application / media				Lineup
E2 double-walled	E12 basic hazardous to water	E19 Flash point >55°C	E3 cleaned and transportable	E24 interior coating urea	E8 Outdoor use



KTD-FA-15-C

- * corresponds to KTD-FE in approval Z-38.12-312 Appendix 3 page 1/3
- * External walls reinforced

The KTD-F is a double-walled storage tank made of heavy-duty steel and is used to store water-polluting media with an increased density of up to 1.2 g/cm³, such as: B. aqueous urea solution. The installation takes place on a flat, load-bearing surface. The KTD-F can be easily transported using a forklift or crane. The KTD-F comes with extensive basic equipment

delivered, which enables immediate use. Optional options include stainless steel versions, electric heating and a heating register for using process heat. The KTD-F is manufactured from S235 JR steel in accordance with general building authority approval Z-38.12-312 **and must be equipped with a vacuum leak detector.**

Advantages of this system

- are:
- high static strength and double-walled construction
 - Redesigned floor assembly for fixing the foundation using adhesive anchors
 - Optimum space-content ratio thanks to cubic design
 - Seal the tank openings with a hood to protect against moisture and vandalism

Technical changes reserved!

material	Permit	documentation	Sheet
Steel S235JR	General building supervisors Approval Z-38.12-312	Test certificate 1-time German	1/4

KTD FAC *

Double-walled storage tank - outdoor installation including inner coating urea

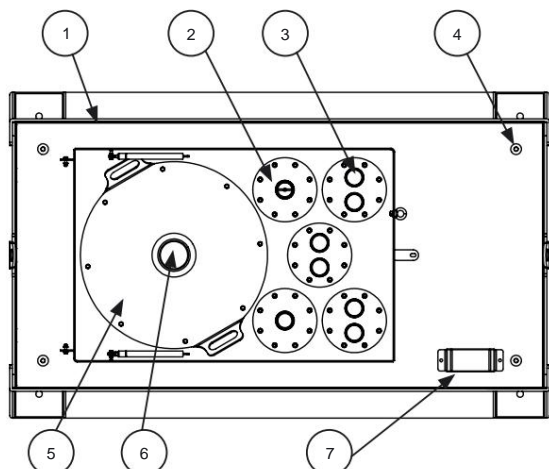


Kram pitz



Tank type	volume 100%	volume 95%	length	length In total	Width	Width In total	Height	Height In total	Weight (empty)
Item No.	liter	liter	mm	mm	mm	mm	mm	mm	kg (approx.)
KTD-FA-1-C	1095	1025	1000	1010	1000	1220	1250	1800s	908
KTD-FA-1.5-C	1660	1560	1500	1520	1000	1220	1250	1800s	1107
KTD-FA-2.5-C	2670	2510	2000	2020	1000	1220	1500	2000	1443
KTD-FA-5-C	5380	5140	2000	2020	1500	1720	2000	2400	1948
KTD-FA-7-C	7280	6950	2000	2020	2000	2220	2000	2400	2321
KTD-FA-10-C	10770	10280	3000	3030	2000	2220	2000	2400	3180
KTD-FA-15-C	14590	13910	4000	4030	2000	2220	2000	2400	3863
KTD-FA-20-C 20000		19050	5500	5530	2000	2220	2000	2400	5441
KTD-FA-30-C 29200		27820	8000	8030	2000	2220	2000	2400	6723
KTD-FA-40-C 40320		38390	11000	11030	2000	2220	2000	2400	8896

Please note: Transport only when empty and cleaned!



- 1.) Floor assembly with continuous longitudinal beams and integrated forklift pockets
- 2.) Robust, cubic, double-walled steel body S235 JR
- 3.) Promotion ladder from 10,000 liters. (Climb rungs mounted in one of the outer stiffening niches) including 2 grab handles on the tank roof
- 4.) 4 heavy-duty crane eyes for lifting when empty (up to 5000 liters two crane eyes)
- 5.) Hood element, consisting of:
 - Frame including lid
 - 2 pipe bushings 300 x 100 mm with blind plate (incl. screws, washers, nuts)
 - Gas pressure damper, padlock
- 6.) Roof assembly consisting of:
 - Dome entry DN 600 with dome cover
 - including washers, nuts
 - Foam rubber square profile 8 x 12 mm, self-adhesive
- 7.) Entry steps in the tank for inspection
- 8.) Nameplate
- 9.) Burst protection 115
- 10.) 5 connection flanges for flange adapter DN 160 (AØ 240)
 - 5 flange adapters with 2 2" sleeves each

Corrosion protection:

- Interior: interior coatings
- Exterior: LA-3 coating, RAL 7032

Accessories optional:

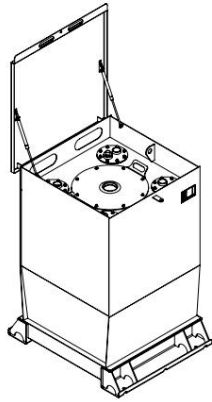
- Additional level sensors
- Overfill protection with horn and flashing light
- Filters, pumps, electric tank heater
- System control with additional functions
- Equipment for media flash point < 55°C
- Equipment for special media

Special equipment:

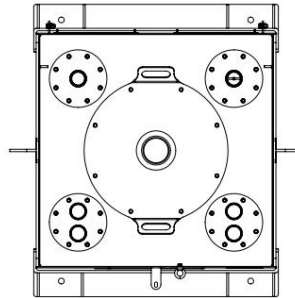
- Painting in all RAL colors

Technical changes reserved!

material	Permit	documentation	Sheet
Steel S235JR	General building supervisors Approval Z-38.12-312	Test certificate 1-time German	2/4

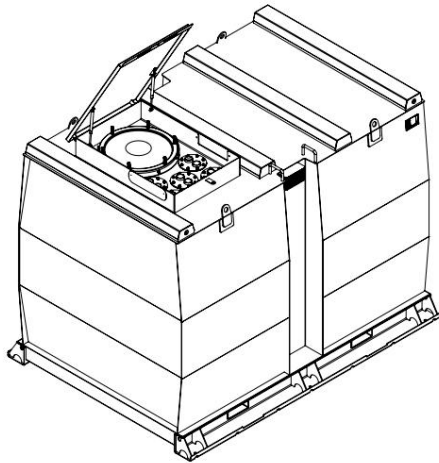


KTD-FA-1-C

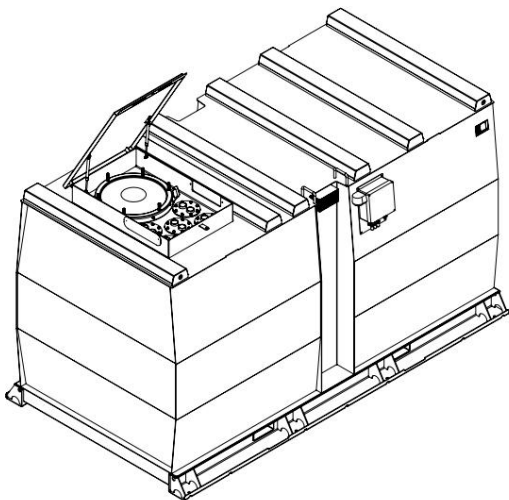
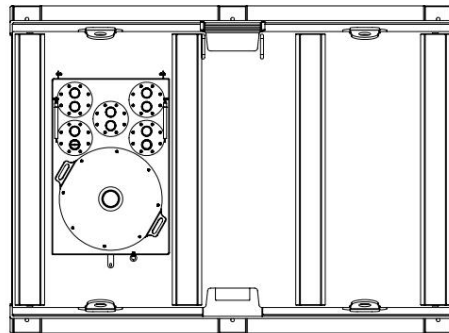


Special features KTD-FA-1

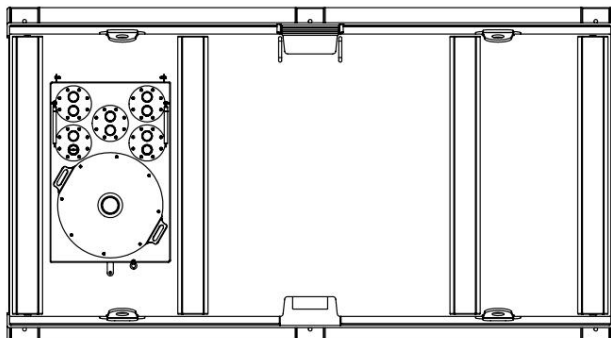
- 11.) Dome entrance DN 500
- 12.) 4 flanges with flange adapter
DN 160 (AØ 240) with 2 2" sleeves each
- 13.) Integrated hood frame



KTD-FA-10-C



KTD-FA-15-C

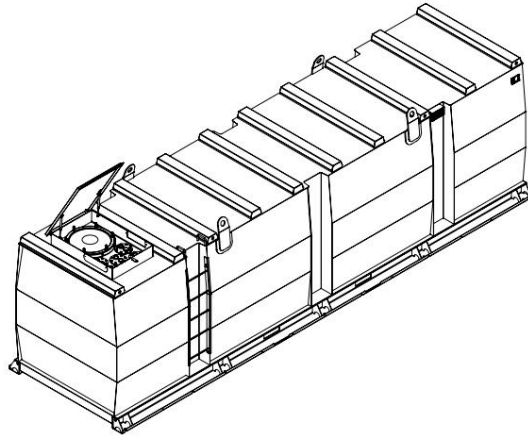
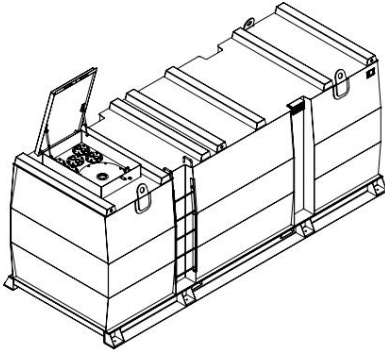


Technical changes reserved!

material	Permit	documentation	Sheet
Steel S235JR	General building supervisors Approval Z-38.12-312	Test certificate 1-time German	3/4

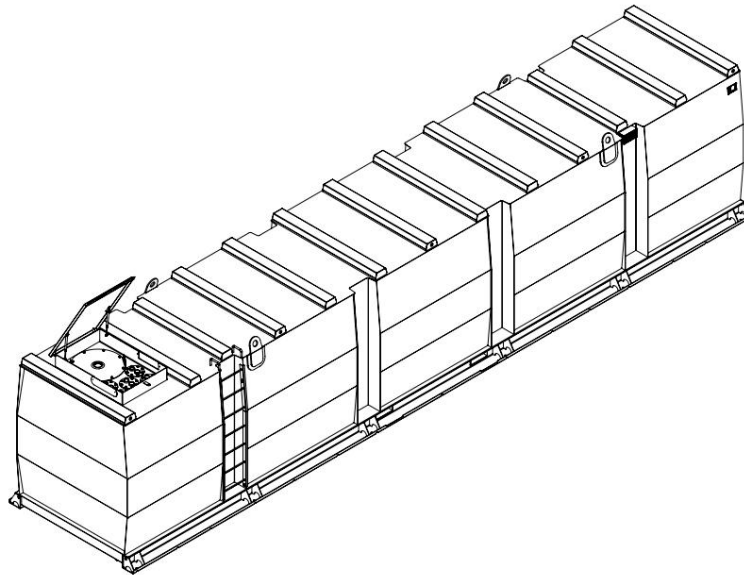
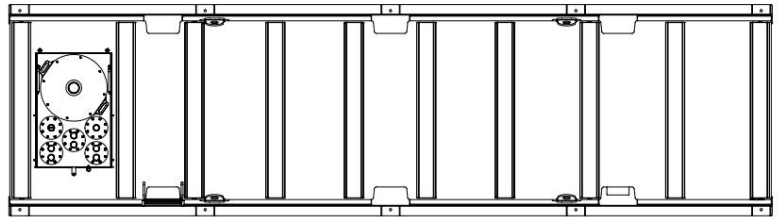
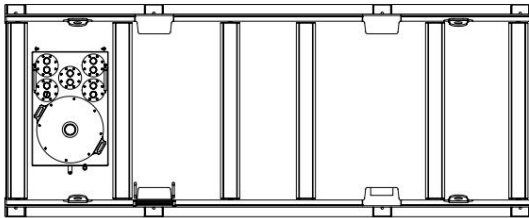


Krampitz

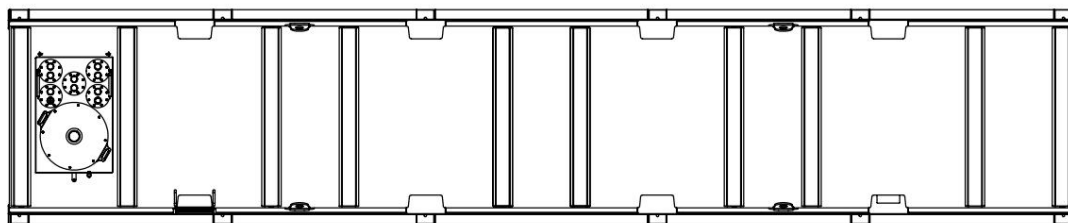


KTD-FA-20-A

KTD-FA-30-A



KTD-FA-40-A



Technical changes reserved!

material	Permit	documentation	Sheet
Steel S235JR	General building supervisors Approval Z-38.12-312	Test certificate 1-time German	4/4