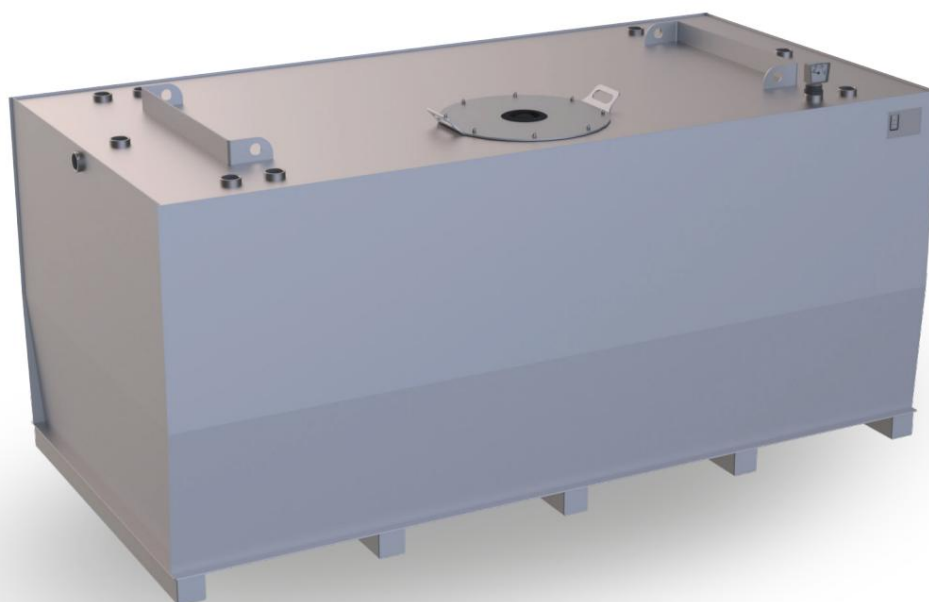


model series Product data sheet - as of January 2024

TTE-XL-DB Single-walled day tank XL



Characteristic	Area of application / media			Transport / installation	
E1 single-walled	E12 hazardous to groundwater	E19 Flash point >55°C	E3 cleaned and transportable	E9 Interior use	



The TTE-XL serves as a day tank for supplying units with fuel or lubricating oil. Due to its structure and equipment, the tank meets the requirements for use in emergency power systems in accordance with VDE 107/108. Due to its volume, the TTE-XL can also function as a storage tank. It is suitable for installation in buildings as well as in system containers. The

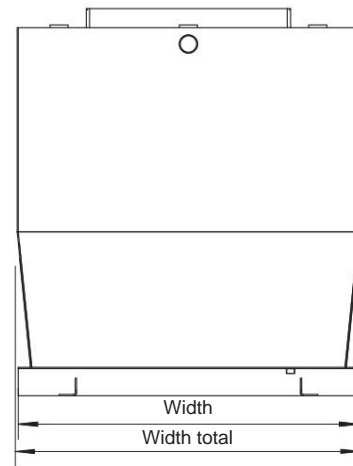
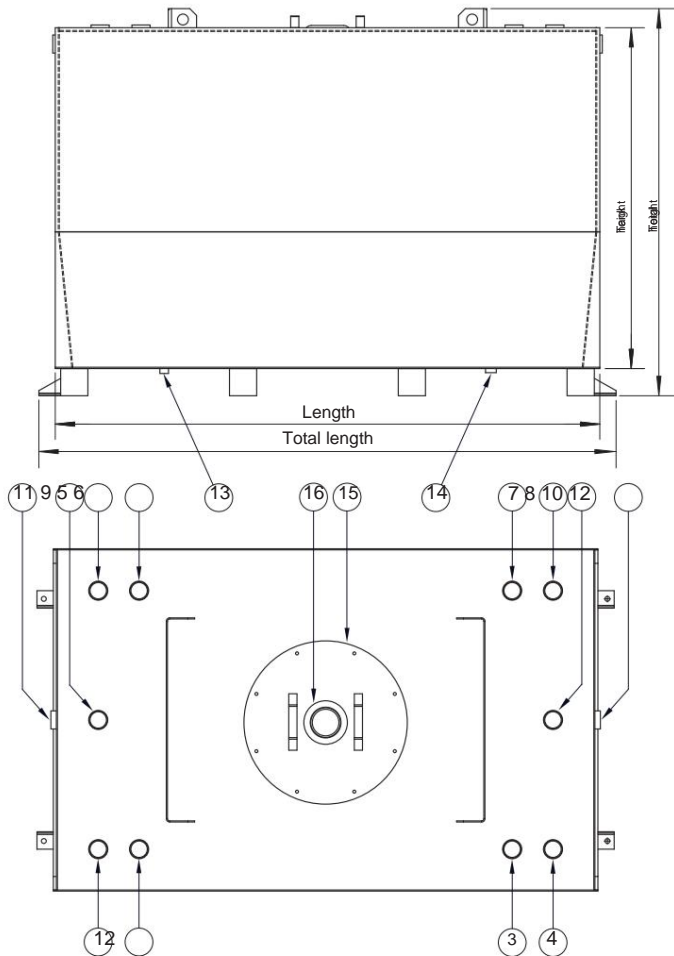
The installation area must be level, load-bearing and designed as a collecting tray. If there is no collection space available on site, a collection tray must be used. The cubic design of the TTE-XL guarantees optimal use of space. Special dimensions in length, width and height can be easily implemented. The only limits are the transportability.

designation	volume 100%	volume 95%	length	length in total	Width	Width in total	Height	Height in total	Weight
	l	l	mm	mm	mm	mm	mm	mm	kg
TTE-XL-2500-DB	2,900	2,800	2,000	2,135	1,250	1,260	1,250	1,450	530
TTE-XL-3000-DB	3,400	3,300	2,000	2,135	1,500	1,510	1,250	1,450	595
TTE-XL-4000-DB	4,200	3,950	2,000	2,135	1,500	1,510	1,500	1,700	660
TTE-XL-5000-DB	5,300	5,000	3,000	3,135	1,500	1,510	1,250	1,450	810

material	Permit	documentation	Sheet
Steel S235JR	General building supervisors Approval Z-38.11-86	Test certificate 1x German	1 of 2



Krampitz

**Standard equipment: -**

- burst protection -
- dome entry DN 600 / crane eyes -
- connection sleeves according to the connection table
- Entry steps in the tank for revision
- Float content display
- Filling pipe 2" / nameplate
- Dust caps

Accessory pack

- Ventilation port 2" with hood
- Flow 1", ball valve 1", angle 90° 1"
- Residual emptying 1/2" with KFE tap 1/2"
- Reduction 2" x 3/4" (2x), Reduction 2" x 1" (2x)
- Blind plug 2" (4x) / Krampitz Sealfix 10 ml

Accessories optional:

- Collection tray type TW-XL
- Stand column special
- Electronic content display -
- Overfill protection/level indicator
- Pumps / tank heating
- Filling neck with pipe angle 2", 45° and TW connection K, 2"

Corrosion protection:

- Exterior: LA-1 paint RAL 7032
- Inside: raw, oiled

Special equipment:

- Painting in all RAL colors

Nozzle table**Pos. Nominal diameter connection**

1 sleeve G2 filling / filling pipe	9 Sleeve G2 reserve
2 sleeve G2 reserve	10 Sleeve G2 return
3 sleeve G2 limit switch	11 Sleeve G2 overflow
4 Sleeve G2 float content display	12 Sleeve G2 overflow
5 Sleeve G2 ventilation	13 Sleeve G1 flow
6 sleeve G2 level sensor	14 Sleeve G1/2 residual emptying
7 sleeve G2 reserve	15 DN 600 Dome entry
8 Sleeve G2 overfill protection	16 Ø 115 mm burst protection

Technical changes reserved!

material	Permit	documentation	Sheet
Steel S235JR	General building authority approval Z-38.11-86	Test certificate 1x German	2 of 2